

# WINGBURG



## Assembly instructions

Fitting set

BELPORT **WOOD**

Safety instructions	3
Required tools	3
Scope of delivery	4
Installation	6 - 13

## Safety instructions

---

Before installation, please read the instructions carefully. If you have difficulties in understanding the instructions please contact your customer service or your supplier. To assemble the product correctly, please use the tools as indicated on the following page. As some edges may be sharp we recommend you to wear gloves to protect your hands and cover all working surfaces to prevent them from being damaged. Use the correct lifting and carrying techniques during installation. All items have been checked prior to delivery by "Wingburg". "Wingburg" does not accept any liability for damage that occurs during installation or transportation.

## Required tools

---



TX 20

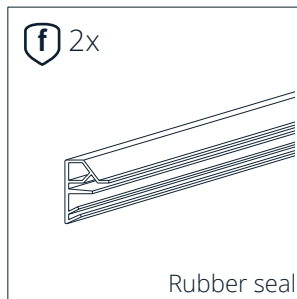
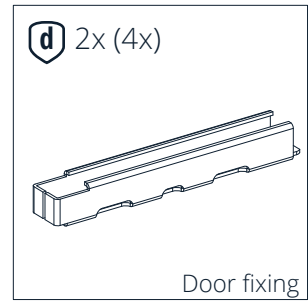
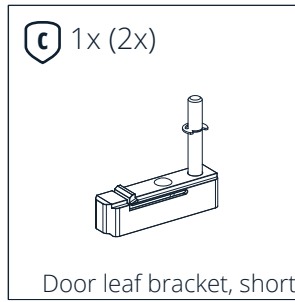
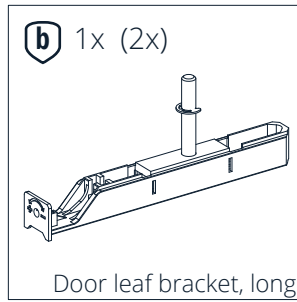
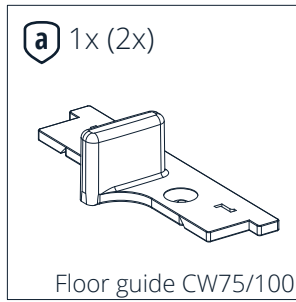


SW 3



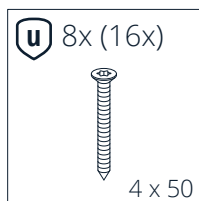
## Components

---



## Standard parts

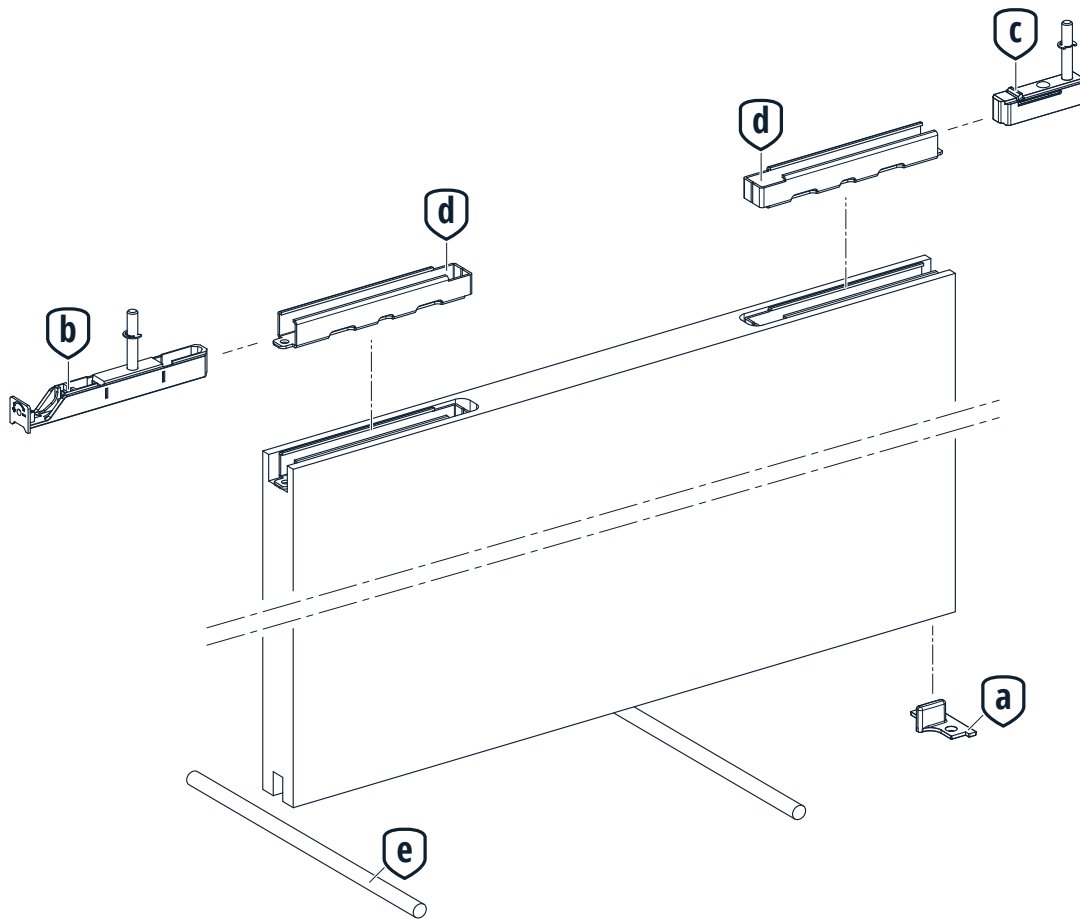
---



-x = single-leaf, (-x) = double-leaf

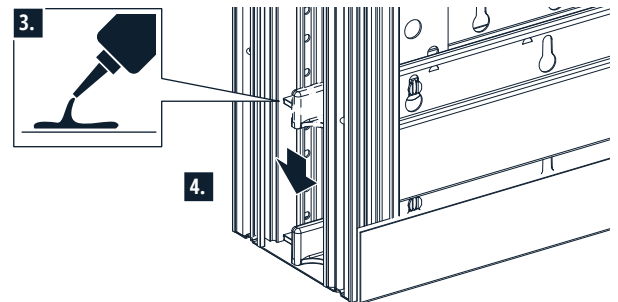
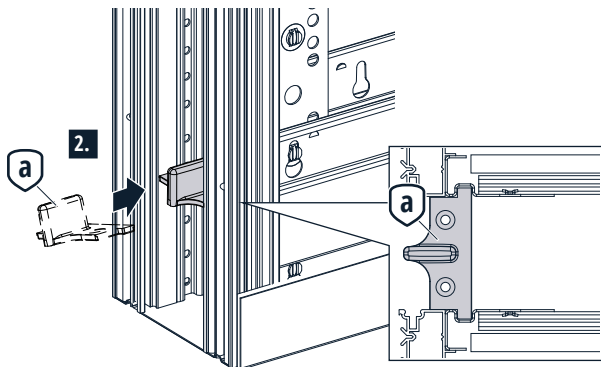
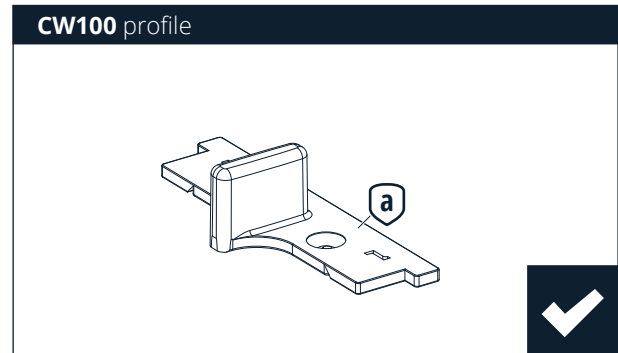
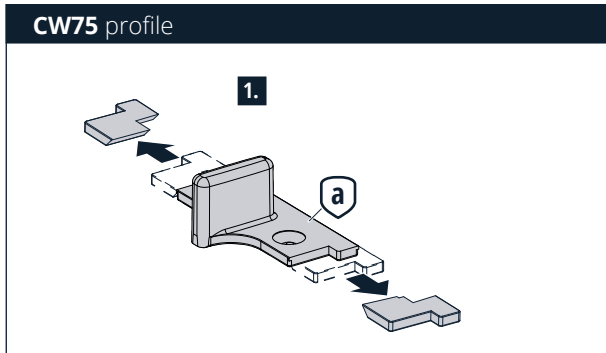
## Overview of components

---



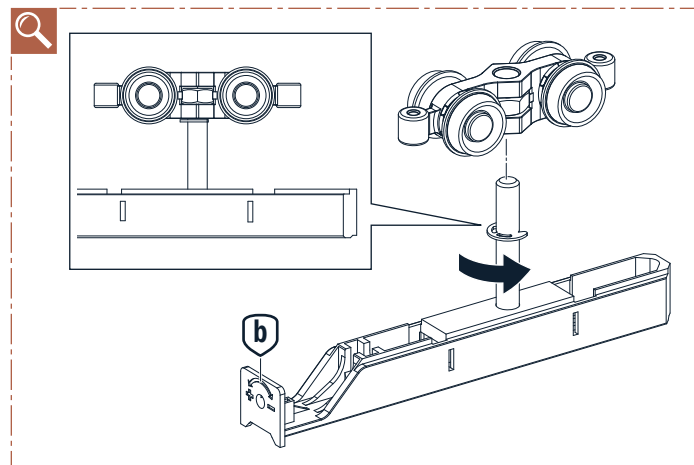
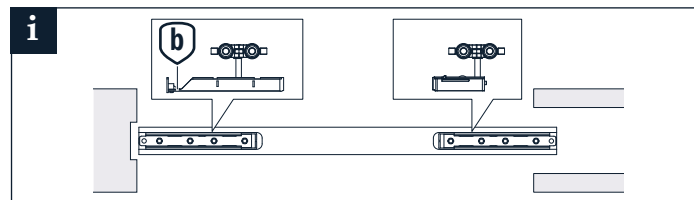
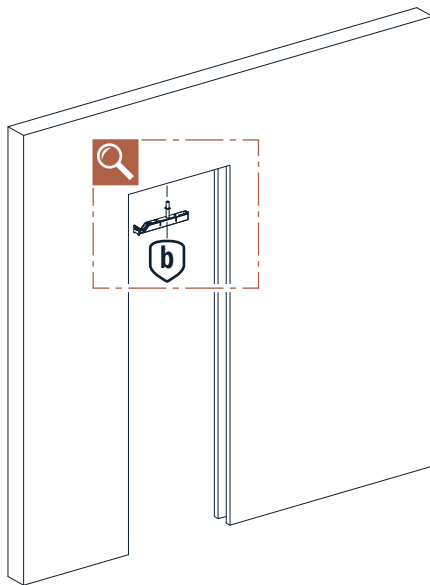
# ASSEMBLY | BELPORT WOOD

1.

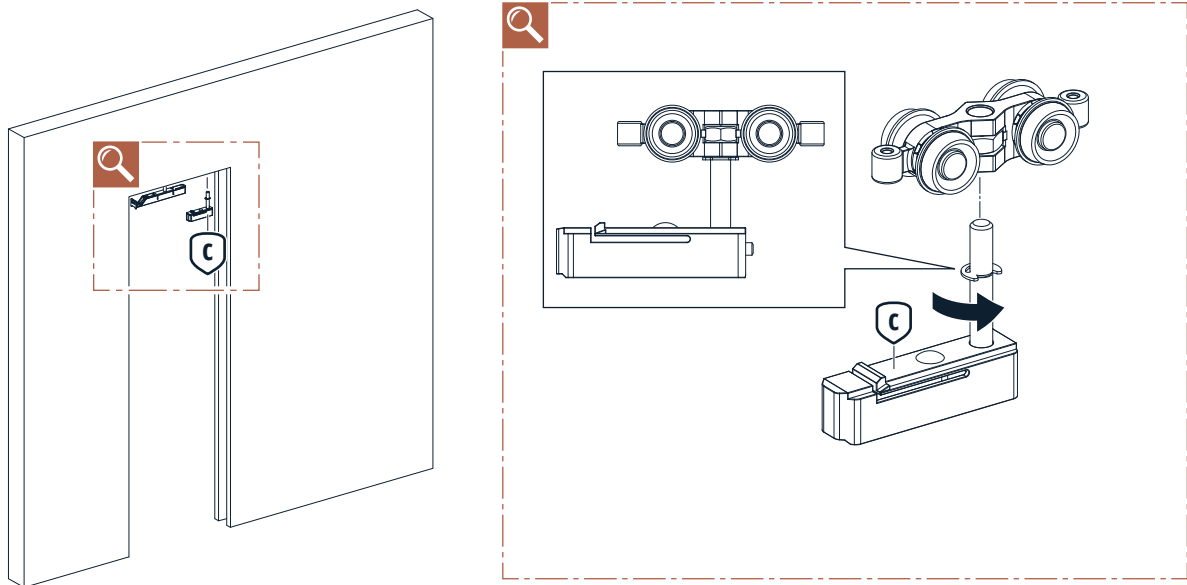


**i** If underfloor heating has **not** been installed, the floor guide may also be screwed in place if necessary.

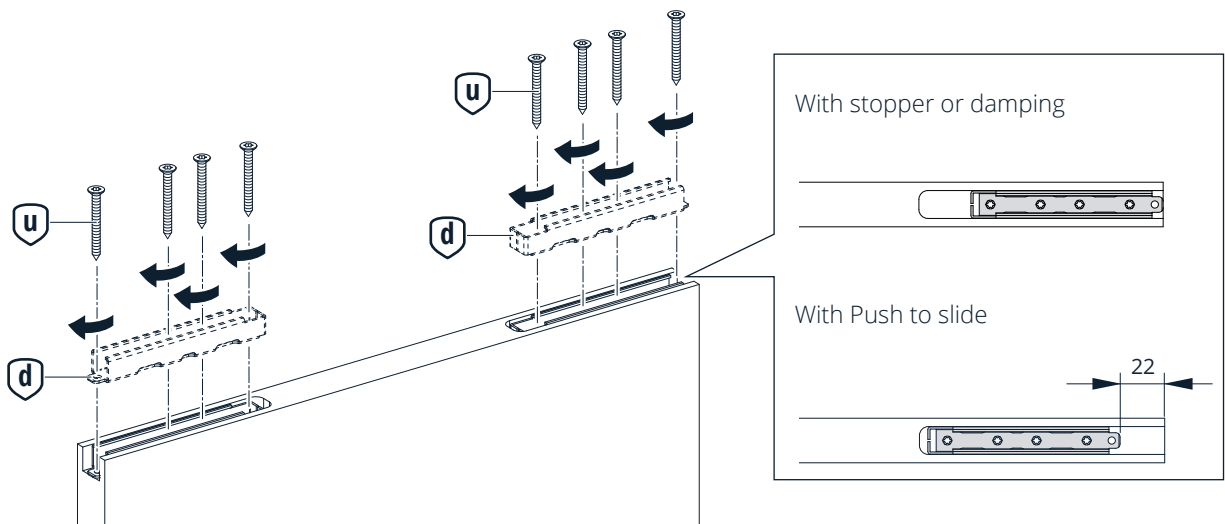
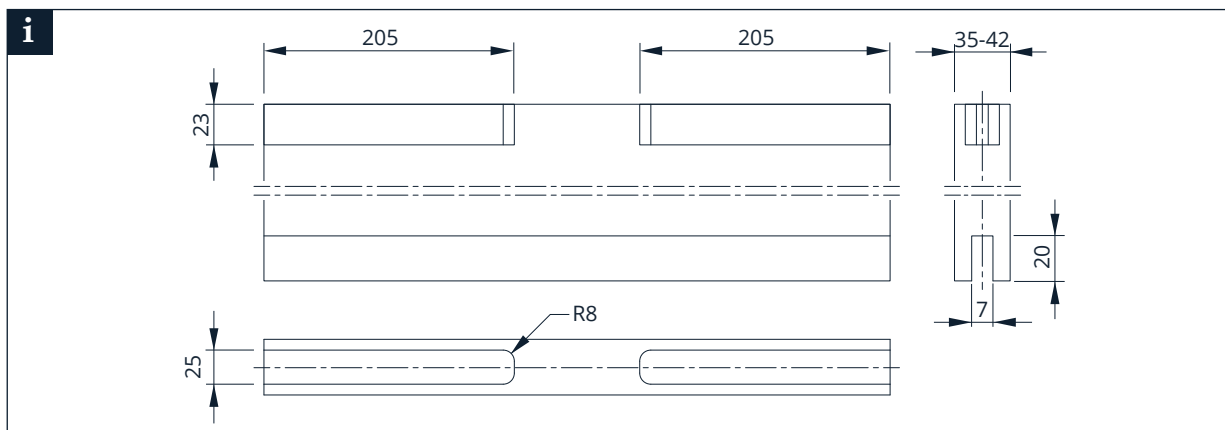
2.



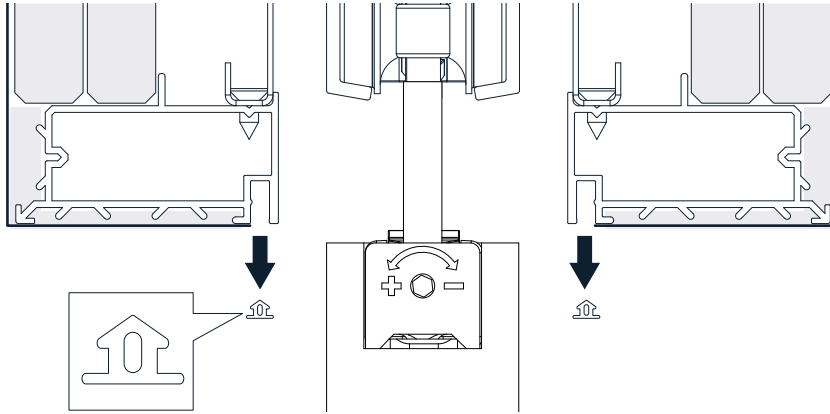
3.



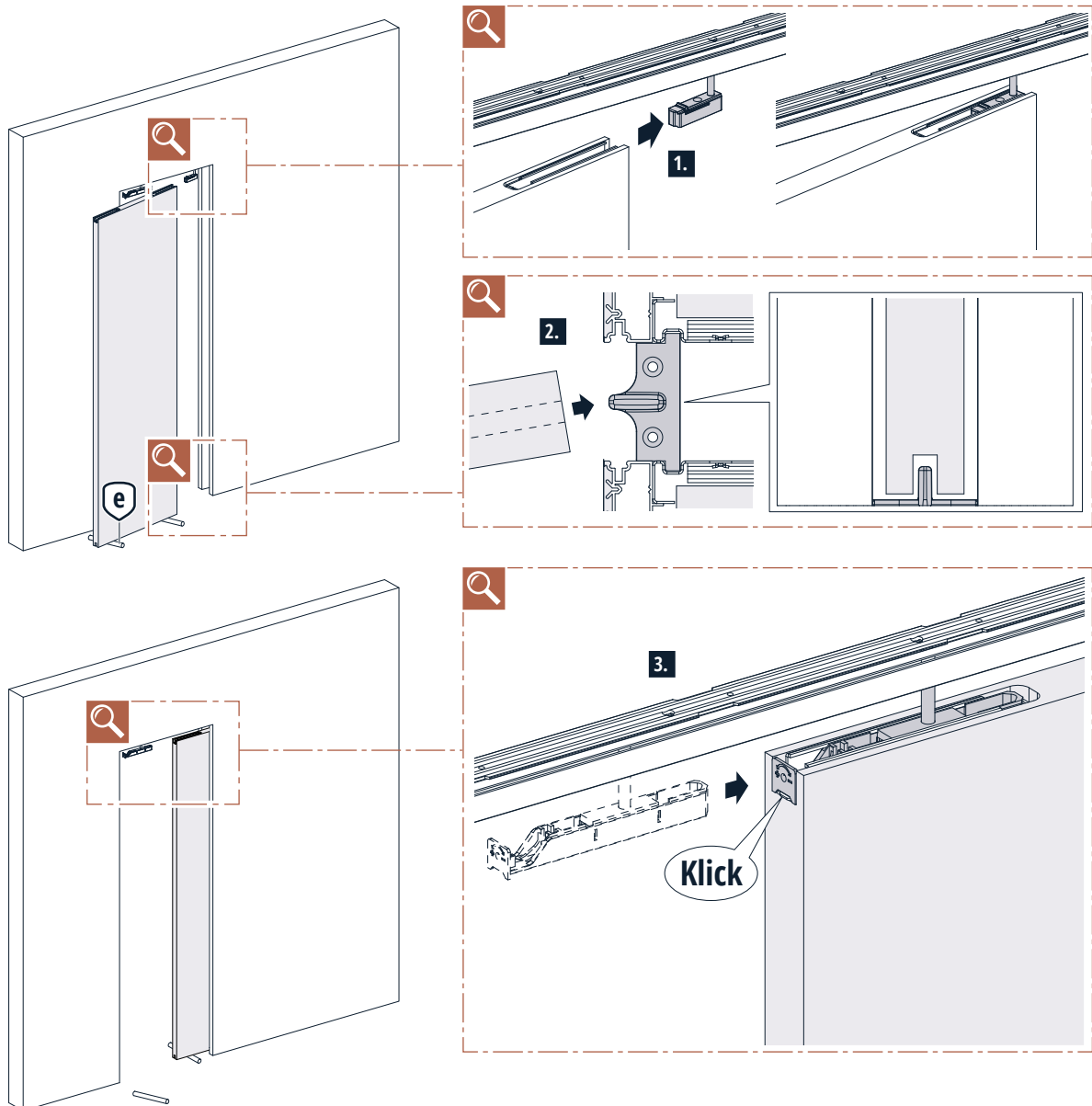
4.



5.

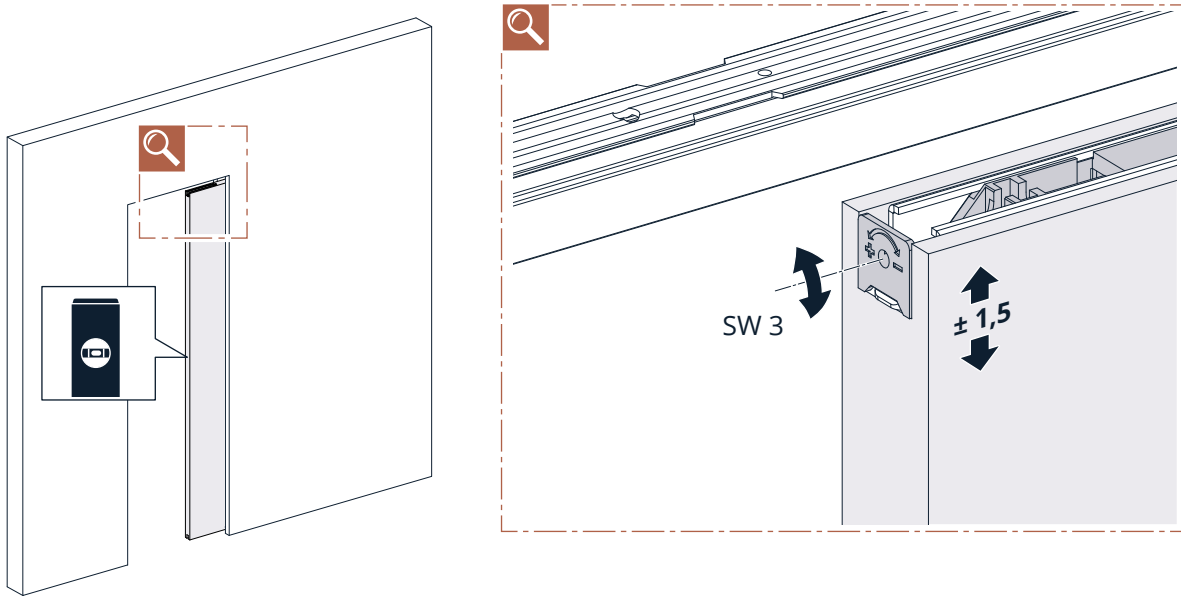


6.

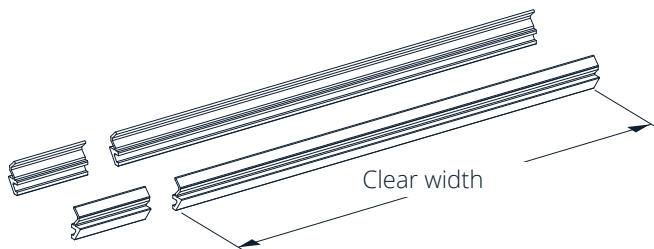
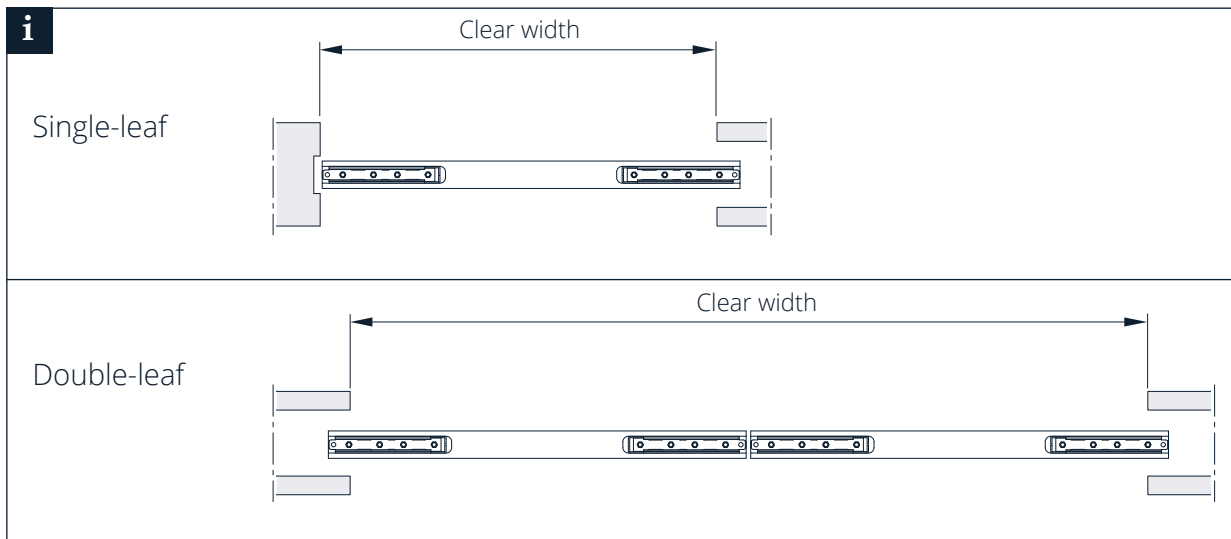




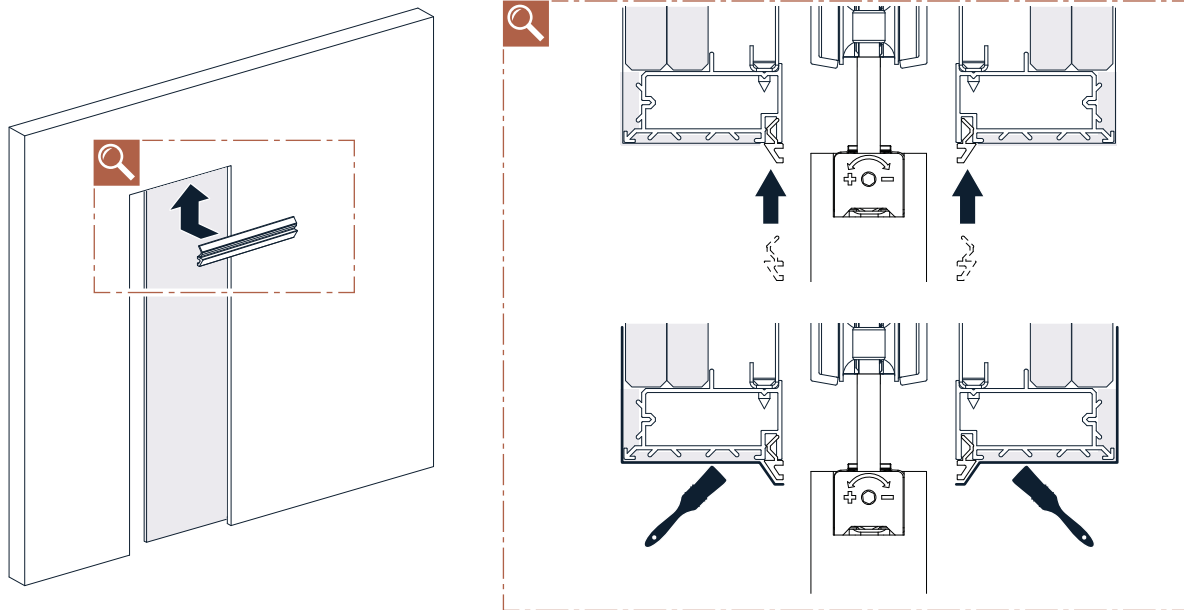
7.



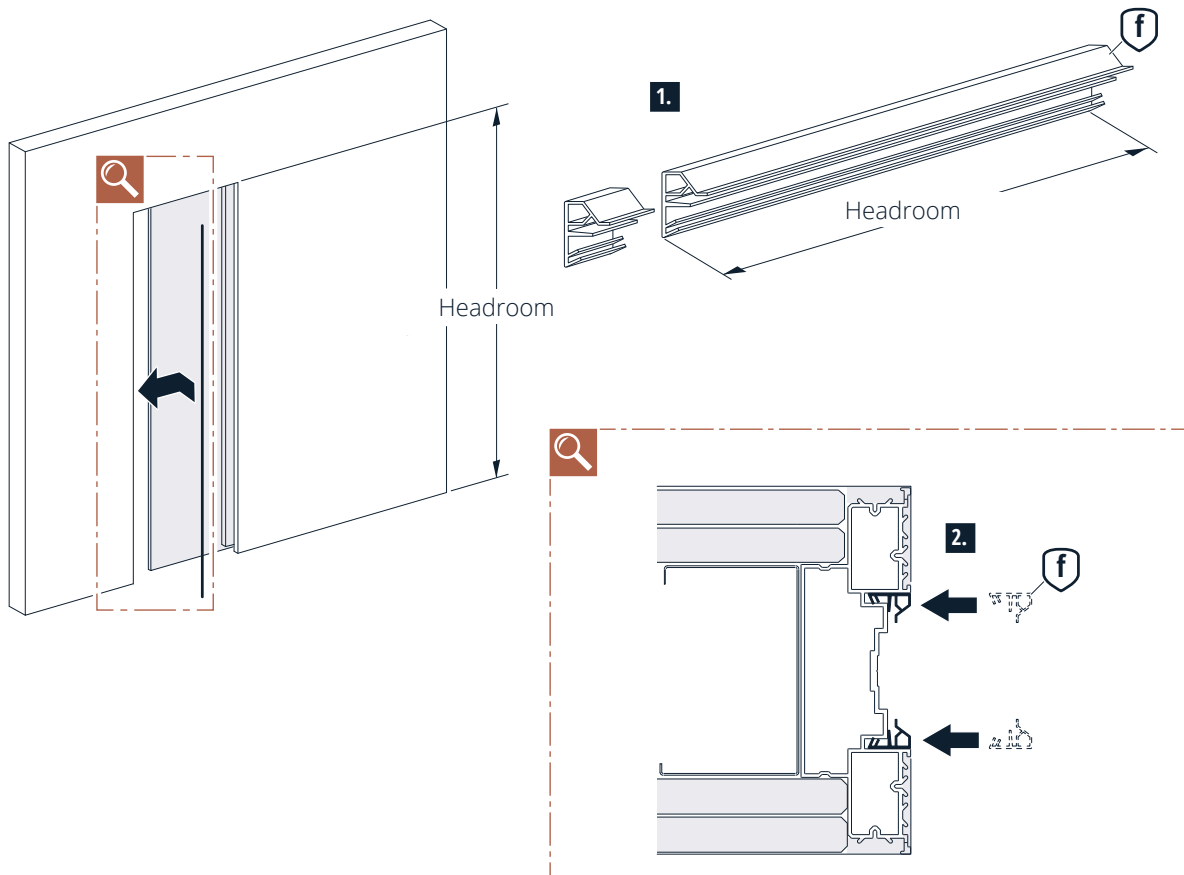
8.



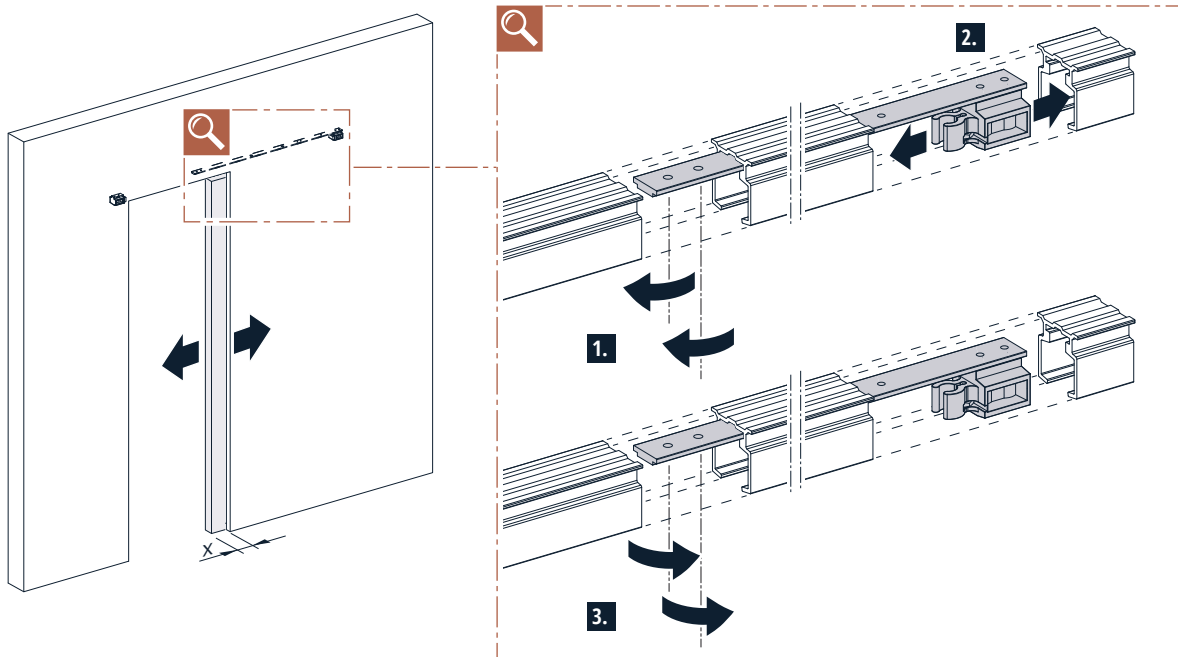
9.



10.



11.





**WINGBURG**

 **+49.5257.94792-0**  
 **info@wingburg.de**  
 **www.wingburg.de**